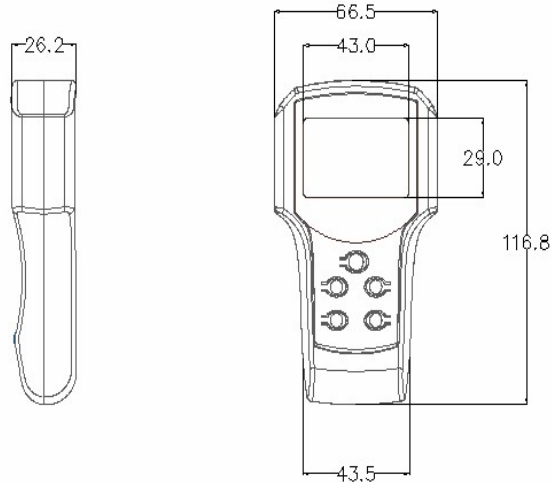


Relative-Humidity & Temperature meter MH8002

-----industrial-class hand-held humidity & temperature meter



Humidity and Temperature monitor/displayer MH8002

This product is used in measuring and displaying humidity & temperature!

Features:

- * Easy to use
- * LCD show both temperature and humidity
- * High accuracy and quick response
- * Long-term stability
- * Detecting probe with gold-plating case
- * Battery operated, portable

Technical Specification:

| | |
|------------------|--|
| Power supply: | 4.5V DC (3*1.5V battery) |
| Operating range: | humidity 0-100%RH, temperature -25~75Celsius |
| Display type: | LCD |
| Accuracy: | Humidity +-2%RH; Temperature +-0.3Celsius |
| Resolution: | Humidity 0.1%RH; Temperature 0.1Celsius |